

Cookes | LIFE well furnished

Stressless®



Stressless® Modular Sofas

MODULES | CONFIGURATIONS | SPECIFICATIONS



NEW STRESSLESS® ANNA

Tailored to your home



With the Stressless® Anna sofa offers full freedom to select Power™ and manual modules side by side. When the motorised function is selected, a footrest smoothly extends under your feet as the back reclines. The motorised headrest follows, and provides you with the optimal position for relaxation with your feet up. On the manual seat, you can regulate the position of the headrest with your hands. With the headrest in a collapsed position, the sofa appears visually smaller. In the raised position it offers good head support and transforms a low-back sofa into a high-back.

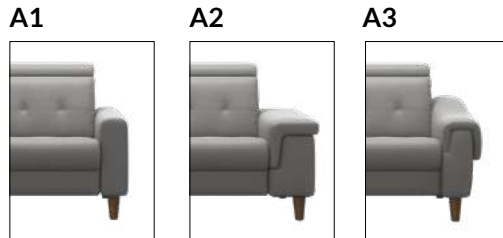
NEW STRESSLESS® ANNA

Modules & Configurations



Stressless® Anna Configurations

- 1. 1 Seater
- 2. 2 Seater
- 3. 3 seater
- 4. 2 seater w Longseat (L)
- 5. 2 seater w Longseat (M) & Centre module
- 6. C12 Pcenter CMM
- 7. C22 PMCMP



All configurations available in all arm options.

Anna A3 arm and legs come in 8 wood finishess and 2 metal finishes:



Alu leg Organic



Alu leg Corner



Wood bow



Steel bow



Wood angled cone leg



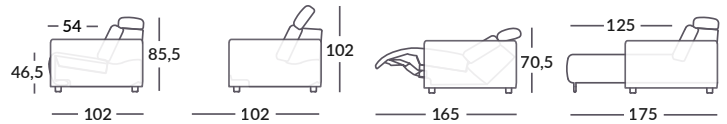
Steel leg slim



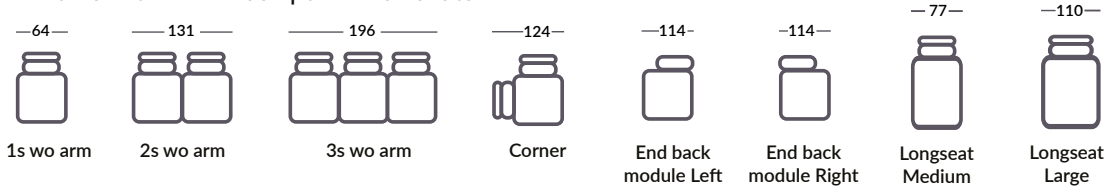
Please note Stressless® Anna is not available to order in Begonia velvet fabric.

MODULES & DIMENSIONS

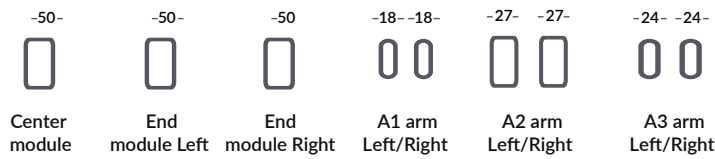
Seat height: 46.5 cm Depth reclined: 165.5 cm
 Seat depth: 54.5 cm Depth long seat: 175 cm
 Sofa height: 85.5/102/70.5 cm Distance to wall: 6 cm
 Depth upright: 102 cm



Modules with Power as option in all seats

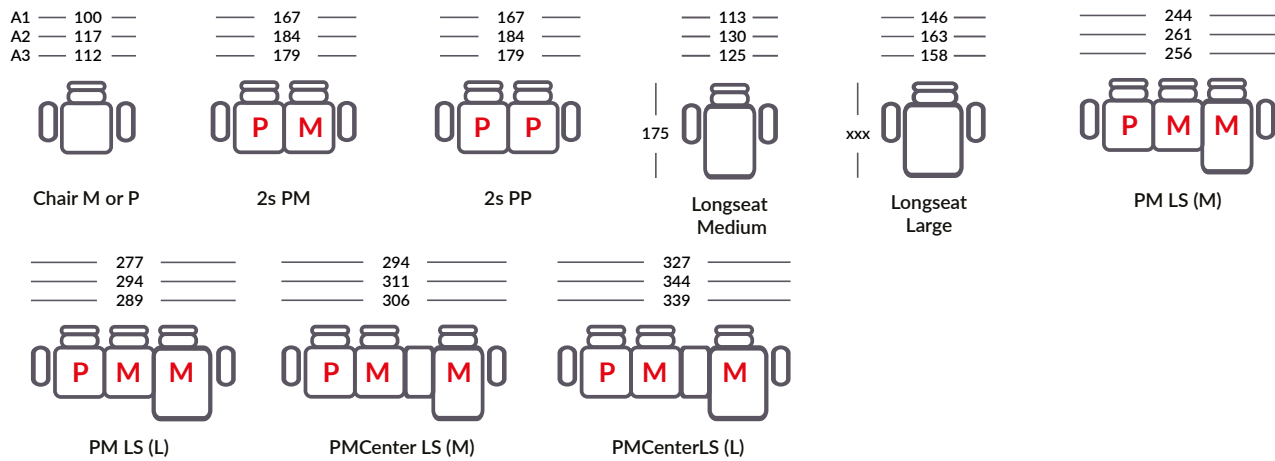


Modules without Power

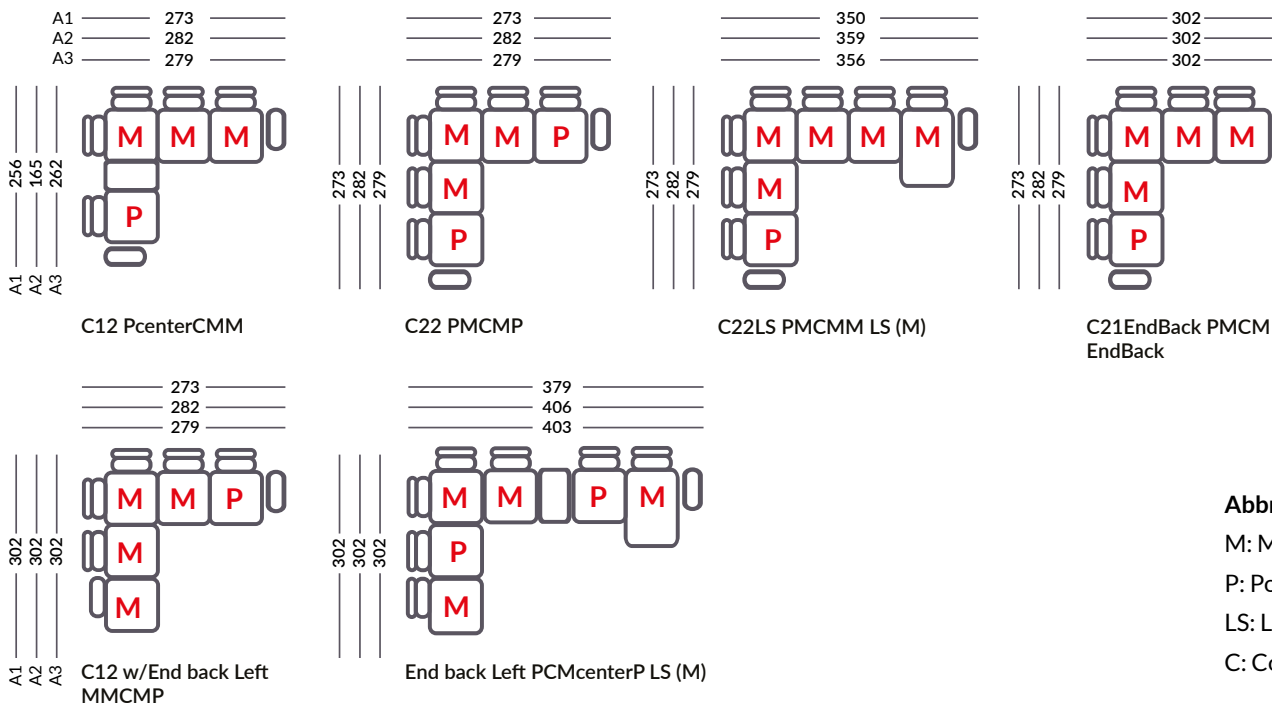


CONFIGURATIONS

Below are examples of possible configurations.



CONFIGURATIONS WITH CORNER AND END/ CENTRE MODULES



Abbreviations
 M: Manual (no Power)
 P: Power
 LS: Longseat
 C: Corner

