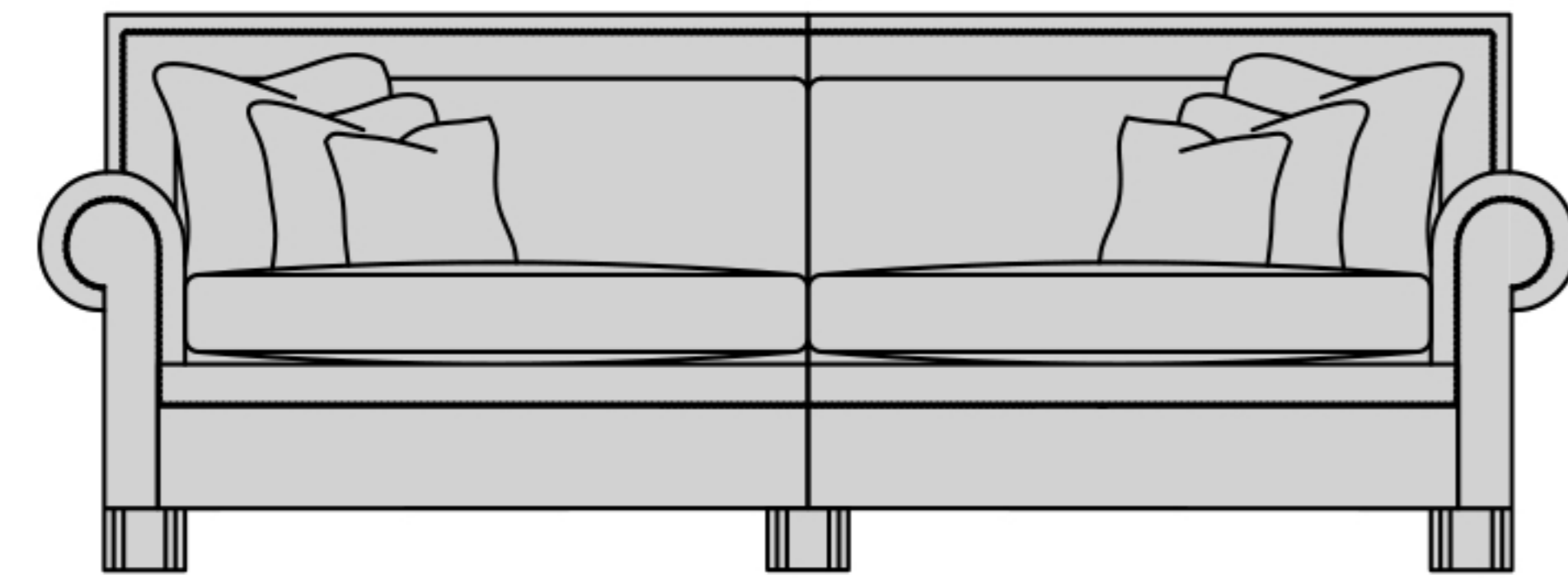


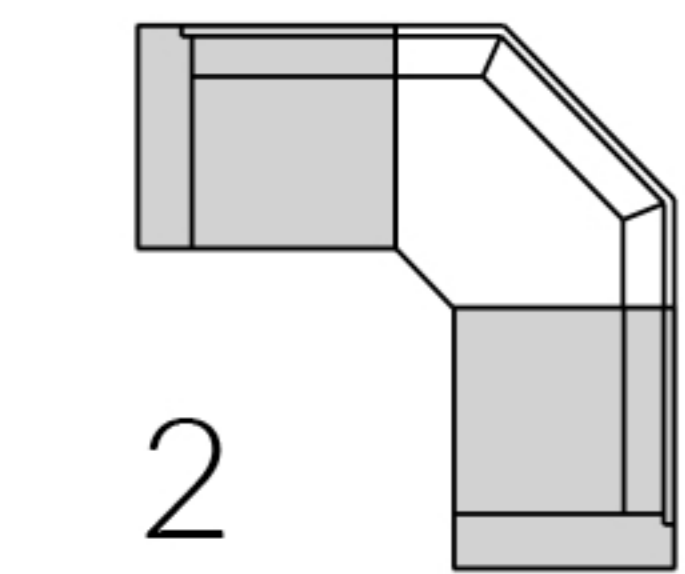
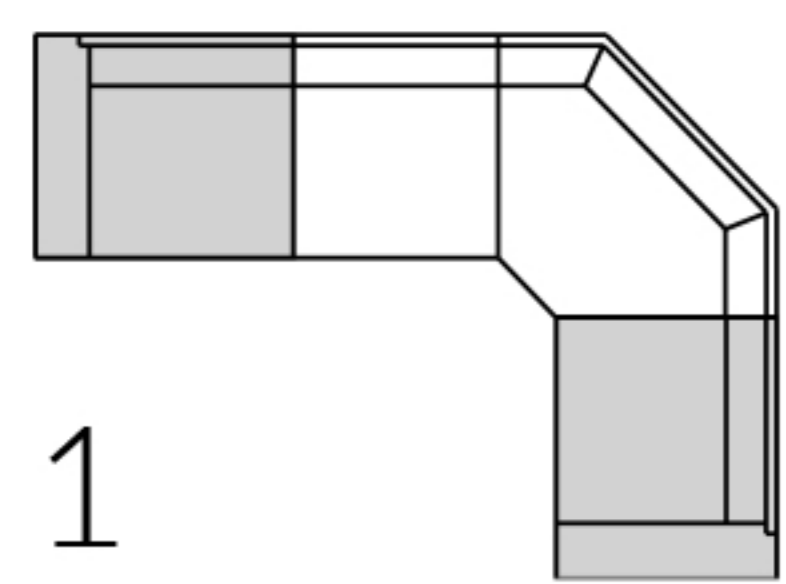
International Luxury

COCO CORNER

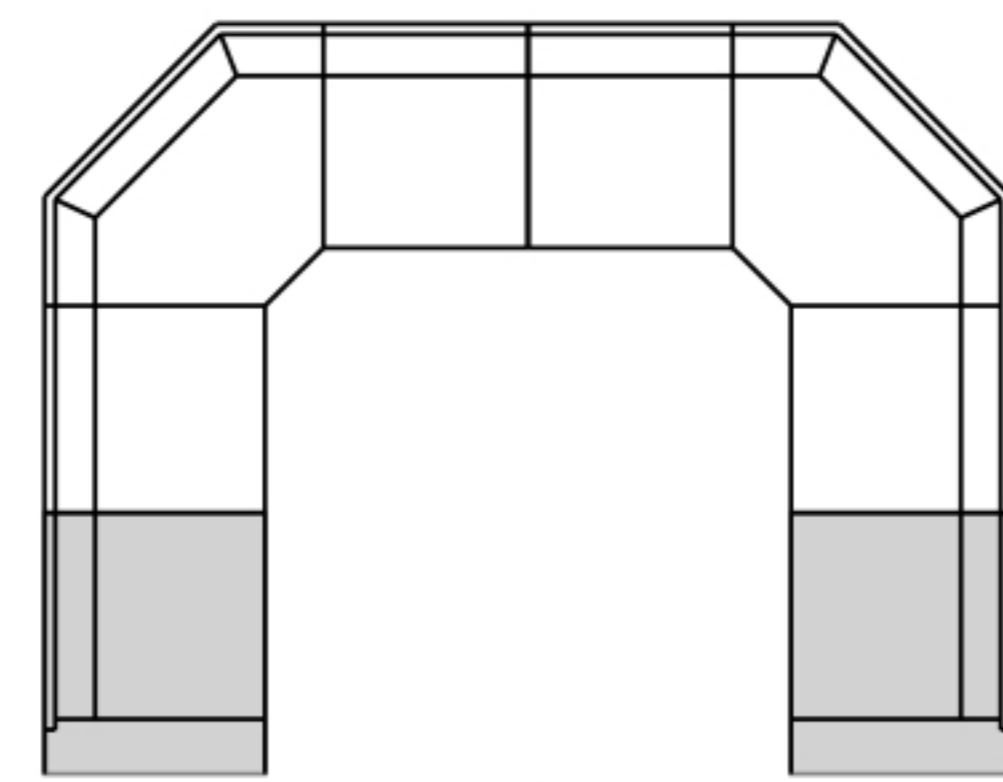


GRAND SPLIT SOFA*
91H x 259W x 109D cm

SUGGESTED CONFIGURATIONS

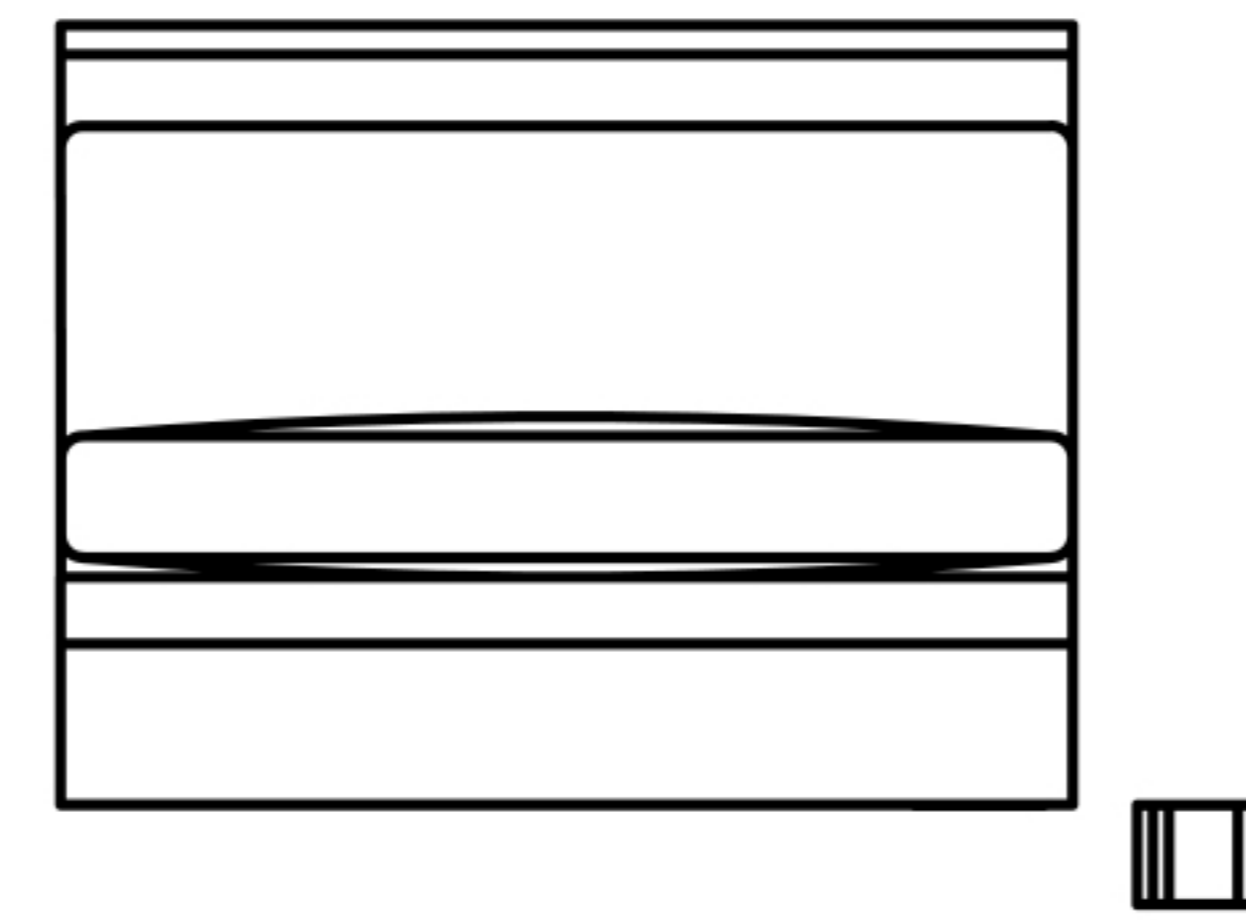


2

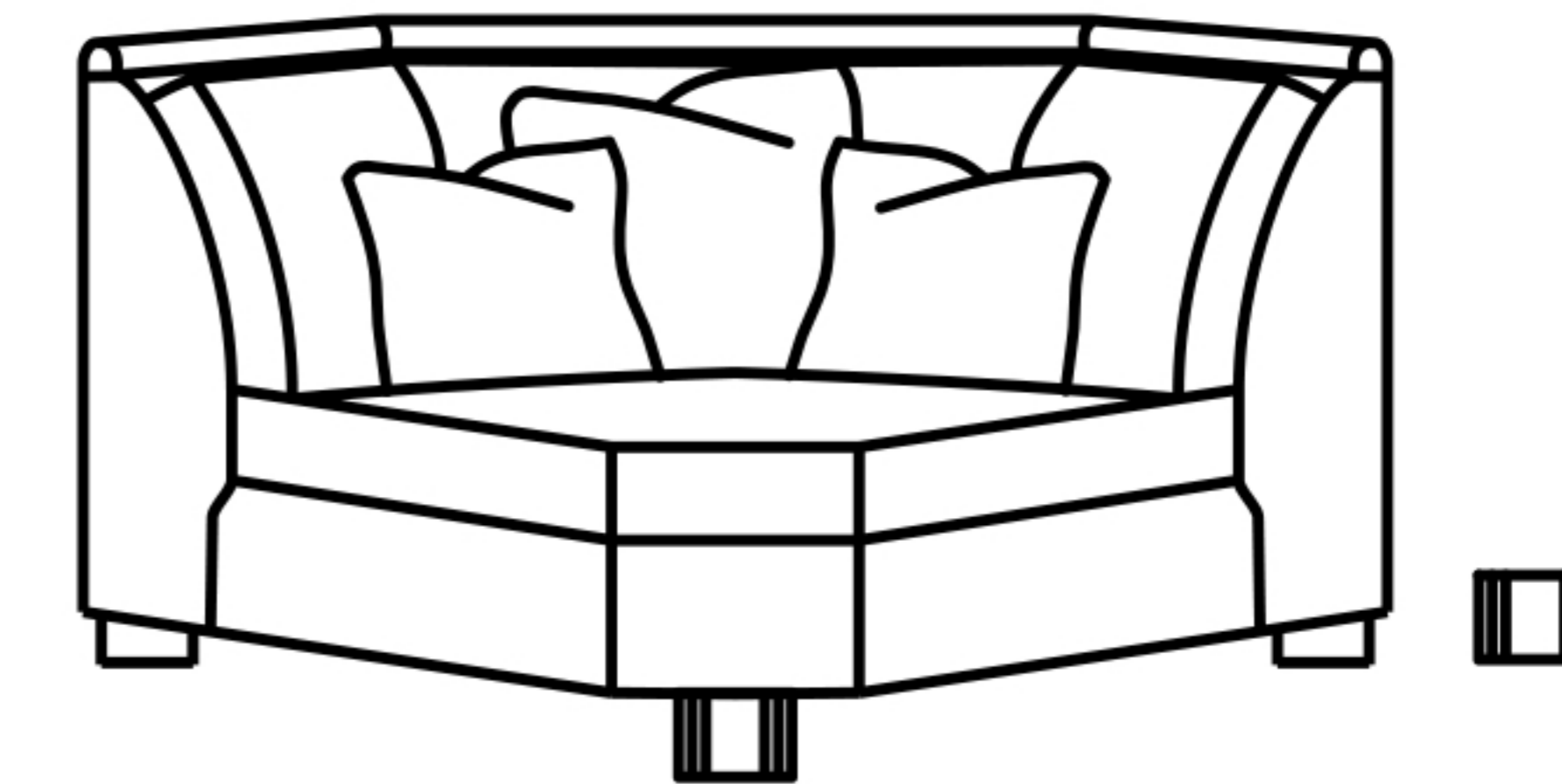
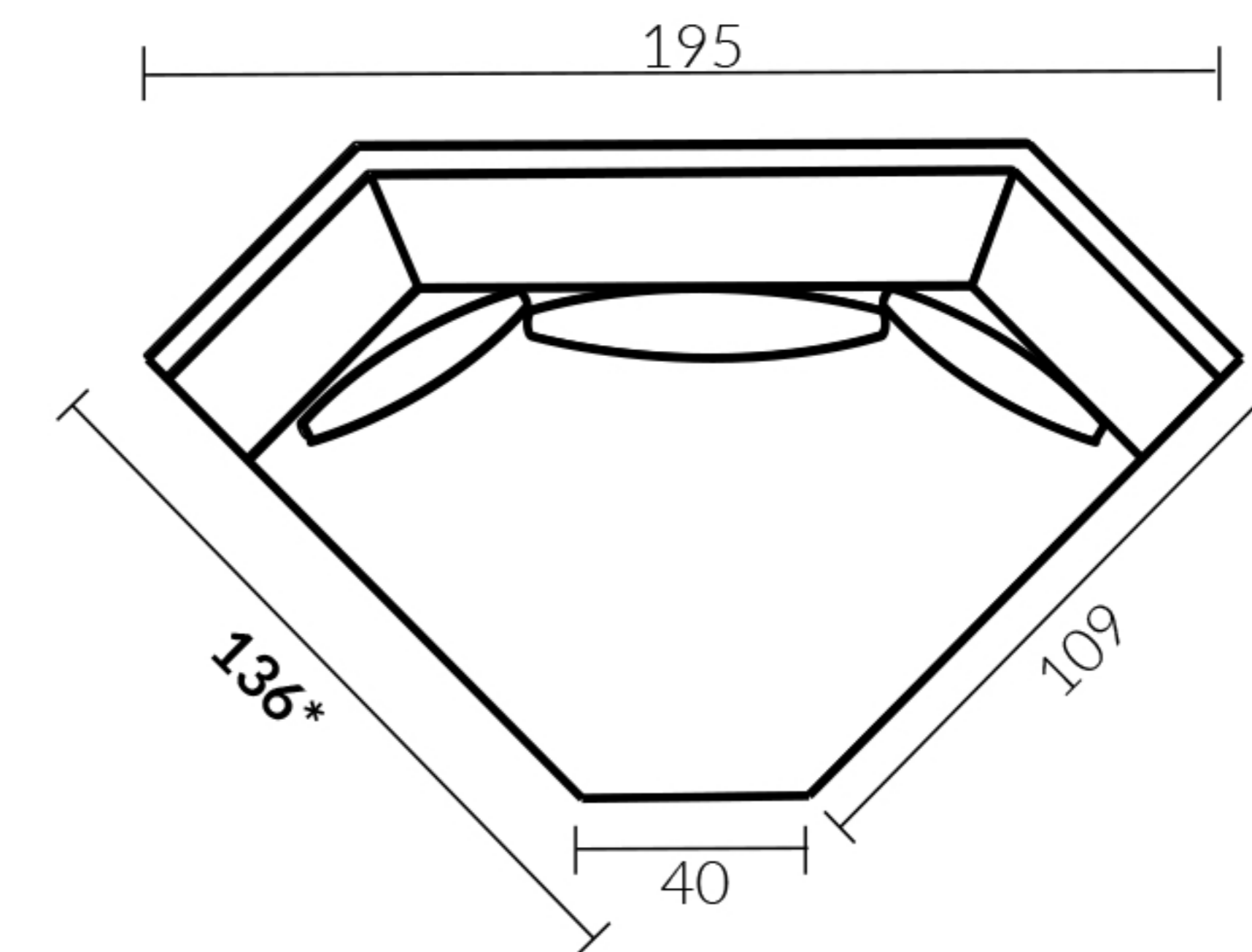


3

*All Coco Corner Groups are made up of a Grand Split Sofa plus additional Corner Units & Armless Units.



GRAND ARMLESS UNIT
91H x 100W x 109D cm



CORNER UNIT
91H x 136W x 136D cm

Image: Coco Corner Sofa shown in Cristalle Noir, contrast piped in Taormina Black. Large scatters in Derain Anis, medium scatters in Taormina Black, and small scatters in Hugo Gold. Hoyland Chairs shown in Harrow Mustard, contrast piped in Harrow Black. Small scatter in Derain Anis. Wooden legs in Ebony.

STANDARD SPECIFICATIONS

- Available in soft cover or leather
- Hardwood frame, serpentine sprung seat with sprung edge and serpentine sprung back
- Seat filling - Supawrap
- Back & scatter filling - Duck feather
- Wood finish - Ebony
- Removable legs
- Scatters - Grand: 2 large, 2 medium & 2 small;
Corner Unit: 1 large & 2 small

- Removable legs: Corner Unit supplied with 1x extra front leg to secure additional units; Armless Unit supplied with 1 x front leg to secure additional units.

OPTIONAL SPECIFICATIONS

- Seat filling - Duraluxe
- Back & scatter filling - Fibre
- Wood finish - Antique, Umber, Macassar, or Mahogany
- Choose from our range of metal studs*
- Protective arm throws*
- Corner Unit and Grand Armless Unit can be combined with Grand Split Sofa to create a Corner Sofa

*Denotes chargeable option

DURESTA

at
Cookes | LIFE well furnished