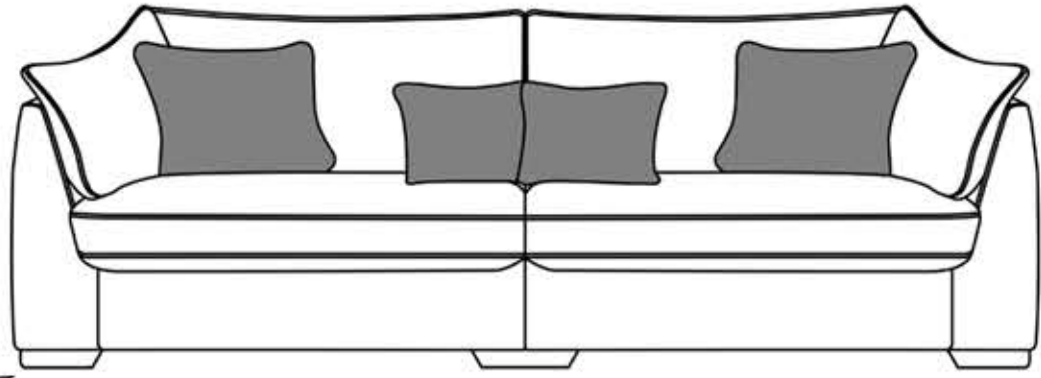


LOUVRE

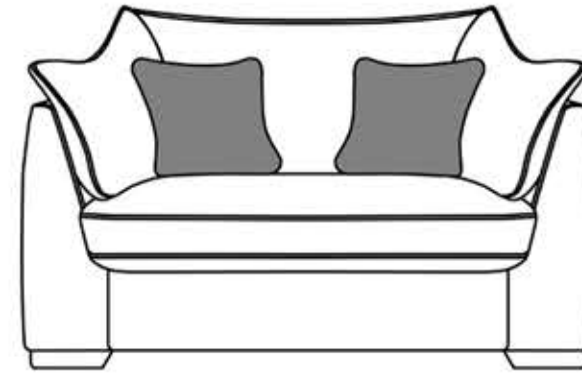
THE COOKES
COLLECTION



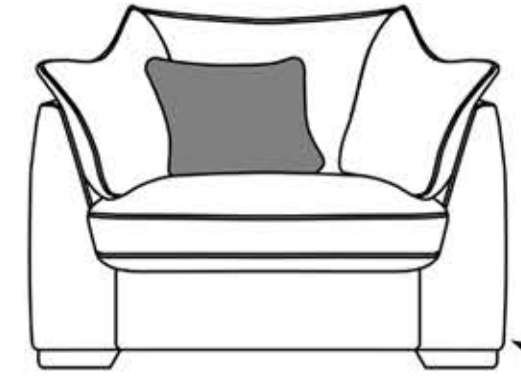
STEP ONE - Choose Your Sofa Size



4 Seater Sofa
(Split-Frame Option Available) 91cm (H) x 251cm (W) x 102cm (D)
3 Seater Sofa
(Split-Frame Option Available) 91cm (H) x 221cm (W) x 102cm (D)
2 Seater Sofa
(Split-Frame Option Available) 91cm (H) x 180cm (W) x 102cm (D)



Snuggle Chair
91cm (H) x 147cm (W) x 102cm (D)



Chair
91cm (H) x 112cm (W) x 102cm (D)

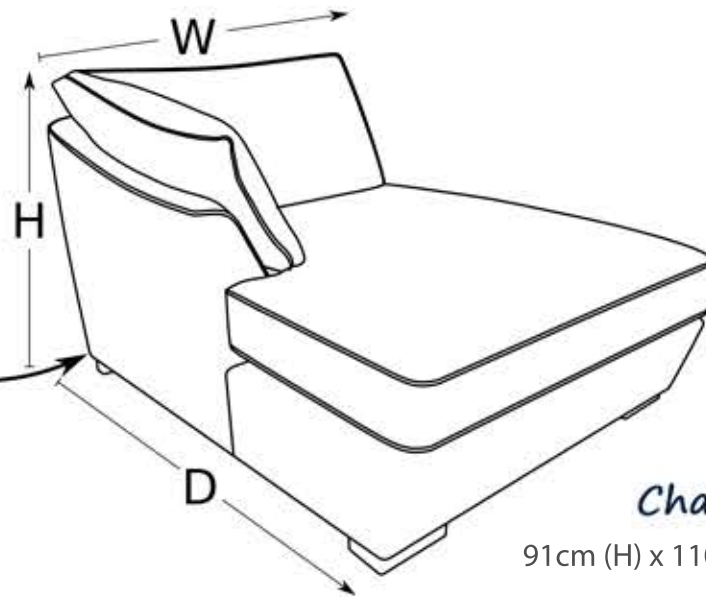
Solid Hardwood Feet In Both LIGHT & DARK Finishes.

Large Variety Of Fabrics To Choose From.

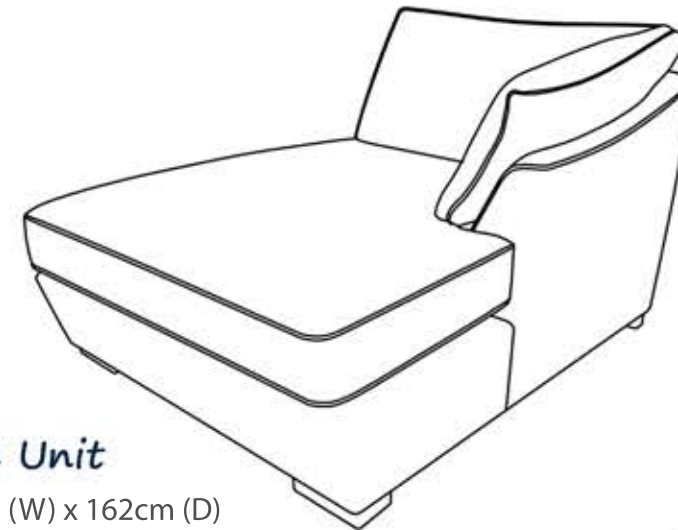
High quality resilient foam seat cushions.

Tempered steel Serpentine springing.

STEP TWO - Select Your Fabrics & Co-ordinating Cushions



Chaise Unit
91cm (H) x 110cm (W) x 162cm (D)



Highly resilient elasticated back webbing.

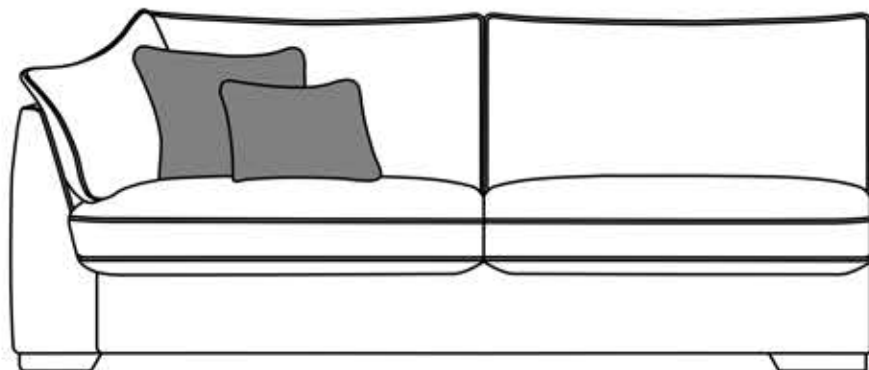
Cushions blown using Spiral Conjugate Fibre Technology.

Hardwood frame Hand-Crafted with Care.

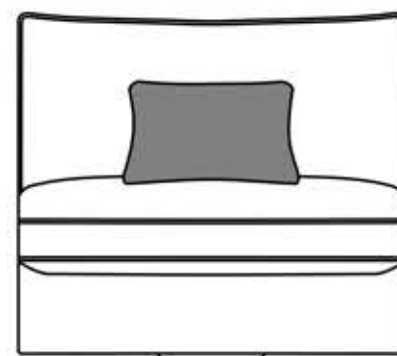
10 Year Frame Guarantee.

Feather filled Scatters & Bolsters.

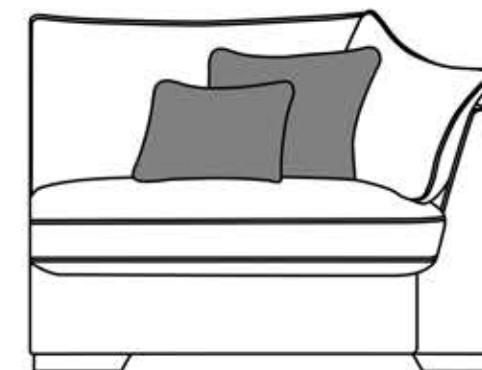
STEP THREE - Select Your Foot Option



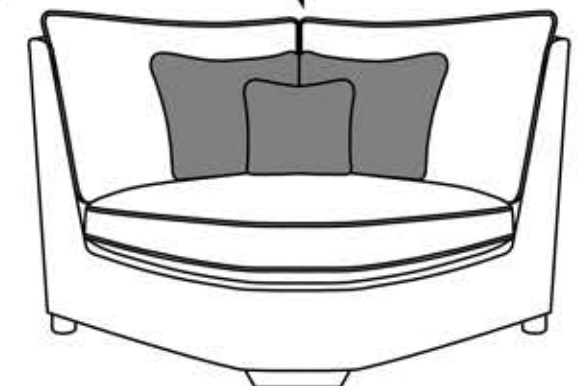
Large End Sofa
(Left/Right Hand Available) 91cm (H) x 198cm (W) x 102cm (D)
Medium End Sofa
(Left/Right Hand Available) 91cm (H) x 157cm (W) x 102cm (D)



Mid Unit
91cm (H) x 90cm (W) x 102cm (D)
Petite Mid Unit
91cm (H) x 70cm (W) x 102cm (D)



Small End Sofa
(Right/Left Hand Available) 91cm (H) x 110cm (W) x 102cm (D)
Petite End Sofa
(Right/Left Hand Available) 91cm (H) x 90cm (W) x 102cm (D)



Corner Unit
91cm (H) x 125cm (W) x 125cm (D)